

8

7

6

5

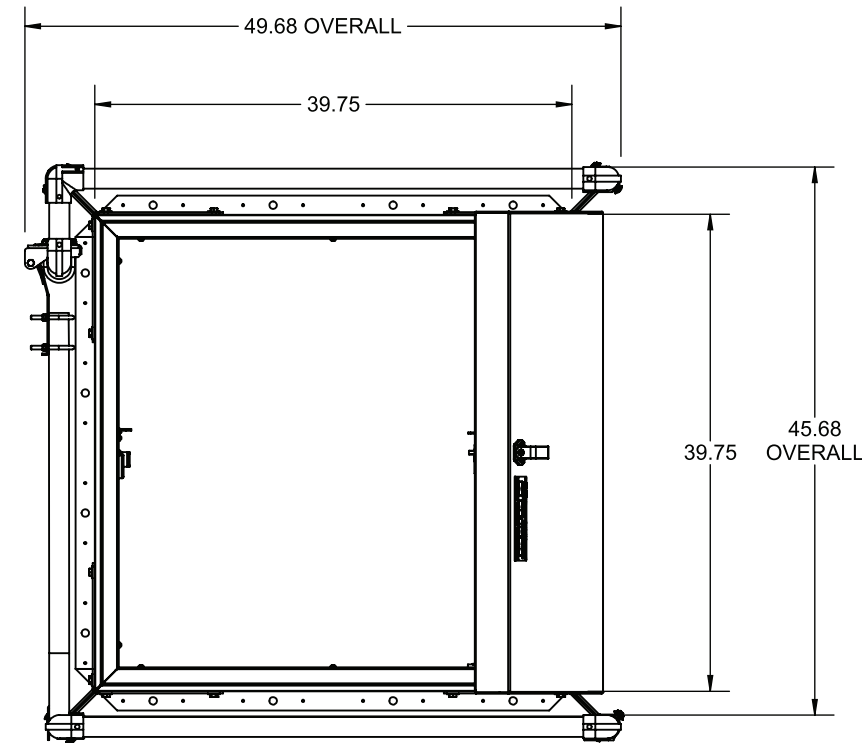
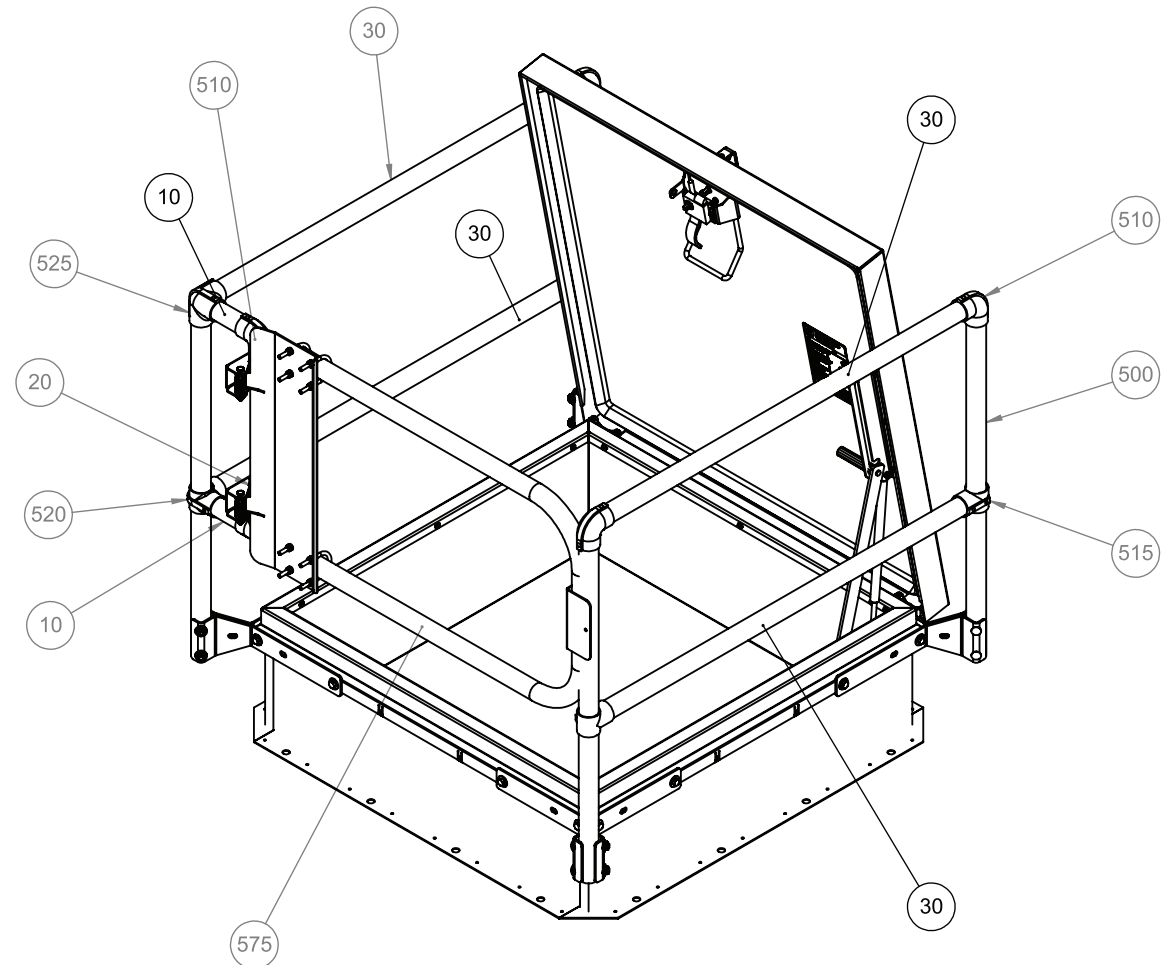
4

3

2

1

ITEM NO.	PART NUMBER	DESCRIPTION	QUANTITY
10	27496-5.00-Y	RAIL, 1-1/4" X 5.00L, ALUM	2
20	27496-18.00-Y	RAIL, 1-1/4" X 18.00L, ALUM	1
30	27496-43.75-Y	RAIL, 1-1/4" X 43.75L, ALUM	4
500	27180-A-Y	PKG, CORNER POST, ALUM,	4
510	27185	FTG, ELBOW,	5
515	27188	FTG, TEE,	3
520	27186	FTG, CROSS ELBOW,	1
525	27231	FTG, DBL TEE,	1
575	SRCAY-GATE-30	GATE, 30, ALUMINUM, YELLOW	1



SPECIFICATIONS

RAILS, POSTS: 6061 T6 ALUMINUM ALLOY 1 1/4" I.D. SCH 40

GATE: 1 1/4" TUBULAR ALUMINUM SELF CLOSING WITH COIL SPRING, ZINC PLATED

COUNTERFLASH MOUNTING BRACKETS: 3/16" ZINC PLATED STEEL FASTENED TO STEEL BACKING PLATE

BOLTS: HEX HEAD BOLTS 3/8"-16 x 3/4" GRADE 5 ZINC PLATED

RAILING FITTINGS AND PLUGS: MANUFACTURER'S STANDARD CAST WITH SET SCREW HOLD

FITS HATCH SIZES UP TO 36" X 36"

CERTIFICATIONS: MEETS OSHA 29 CFR 1910.28 AND 1910.29 REQUIREMENTS

FINISH: SAFETY YELLOW POWDER COAT

SPECIAL LABEL PN 3113-TB

TBSRCAY36X36FG



TITLE:
 Safety Railings for Roof Hatch
 36X36, Front Exit, Sngl Door, TRI-BUILT
 Alum, Safety Yellow Pwd, Gate

	NAME	DATE	SIZE	DWG. NO.	REV
DRAWN	SJB	TODAY	B	TBSRCAY36X36FG	A
RELEASED	DWO	5/9/2023			
WEIGHT: Weight			SHEET 1 OF 1		

8

7

6

5

4

3

2

1